

Specification sheet LX 890

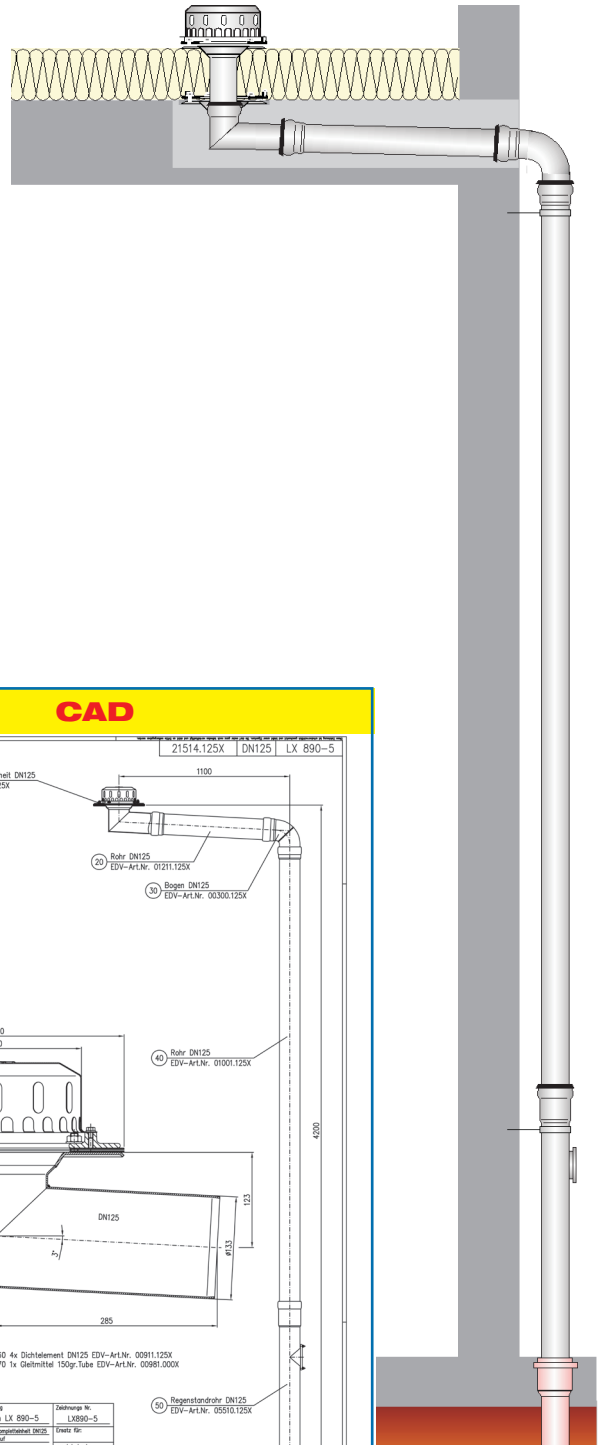
Roof drainage systems Series 84 DRAINLET[®]

Hauptentwässerung

Gravity flow

Silent Power

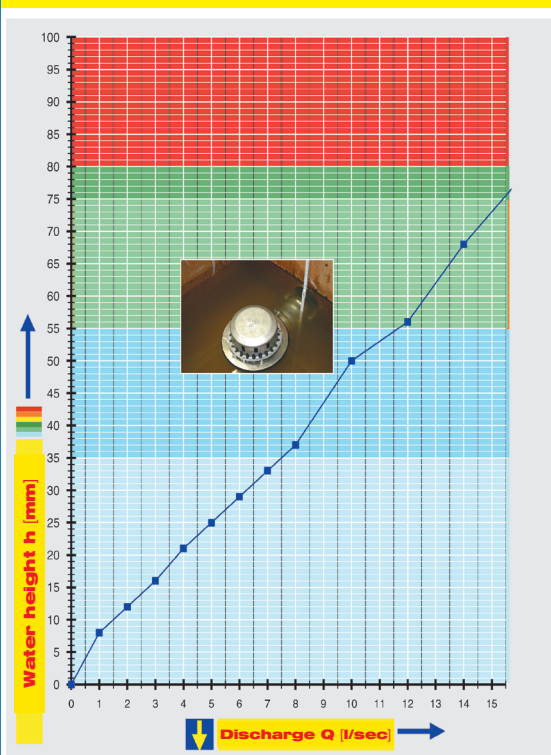
Discharge rate:	9,2 l/sec
Water height:	45 mm
Roof penetration:	-
Diameter:	DN 125
LX-Number:	LX 890
Weir height:	0 mm
Drain:	ventilated
Falleitung:	not ventilated
Falleitungshöhe:	4,2 m
Entwässerung:	in Sewer



LX 890 Piece list

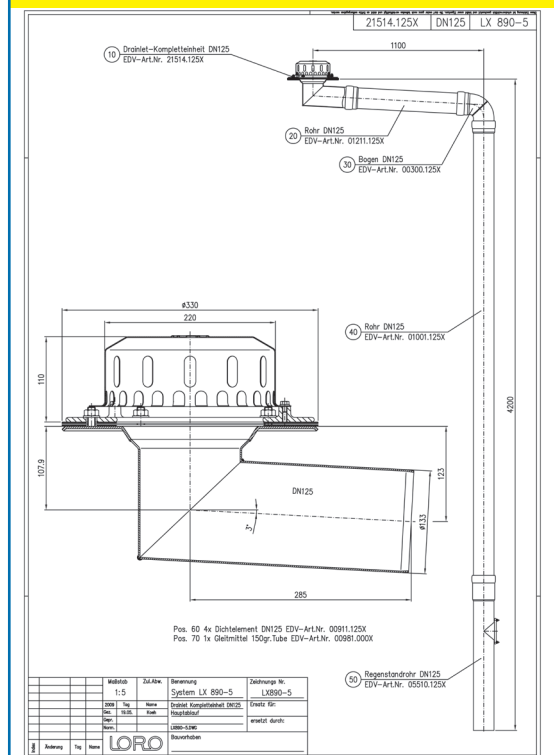
- 1 x Art.-No. choose drain on page two!
- 1 x Art.-No. 01211.125X, LORO-X Pipe with one socket
- 1 x Art.-No. 00300.125X, LORO-X Bend
- 1 x Art.-No. 01001.125X, LORO-X Pipe with one socket
- 1 x Art.-No. 05510.125X, LORO-X Stand pipe
- 4 x Art.-No. 00911.125X, LORO-X Sealing elements
- 1 x Art.-No. 00986.000X, LORO-X Lubricant

hQ - Head Discharge curve



Systempower

CAD



Systemshape

Water height	mm	5	10	15	20	25	30	35	40	45	50	55	60	65	70	75
Discharge	l/sec		15	2,7	3,7	5	6,2	7,5	8,5	9,2	10	11	12,6	13,5	14,5	15,4

Silent Power

Choose drain for piece list on page one!

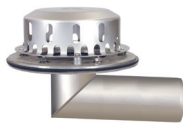
DN 125

without insulation

LX890-5X

Drain Art.-No. 21514.125X

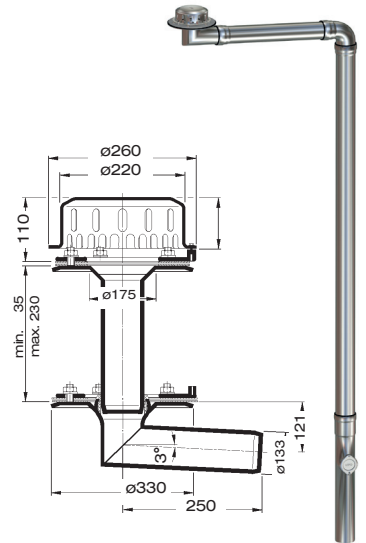
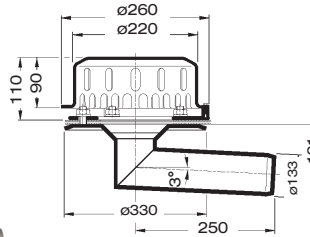
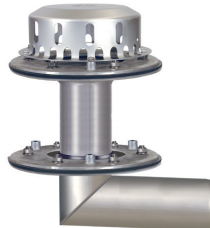
with clamping flange one-piece
for bituminous and plastic roofing sheets



LX890-6X

Drain Art.-No. 21524.125X

with clamping flange two-piece
for bituminous and plastic roofing sheets



with insulation

LX890-7X

Drain Art.-No. 21515.125X

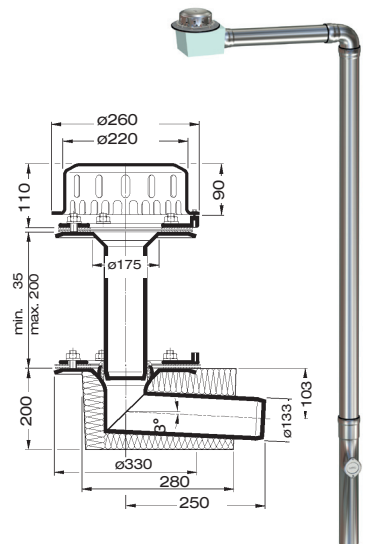
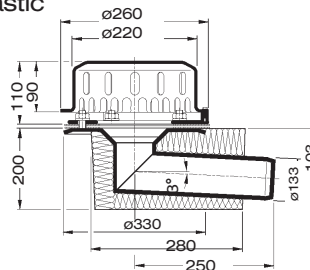
with clamping flange one-piece
for bituminous and plastic roofing sheets



LX890-8X

Drain Art.-No. 21525.125X

with clamping flange two-piece
for bituminous and plastic roofing sheets



with insulation and heating

LX890-9X

Drain Art.-No. 21516.125X

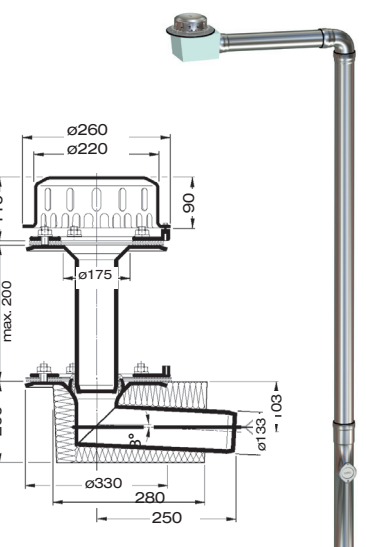
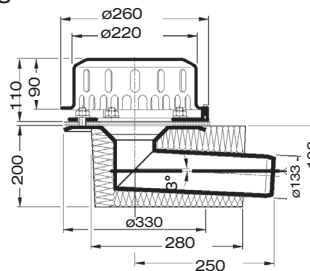
with clamping flange one-piece
for bituminous and plastic roofing sheets



LX890-10X

Drain Art.-No. 21526.125X

with clamping flange two-piece
for bituminous and plastic roofing sheets



Heat tracing: Lorowerk recommends to check all drains and pipes with regard to their frost-sensibility. Where necessary, these parts should be upgraded with heat tracing.